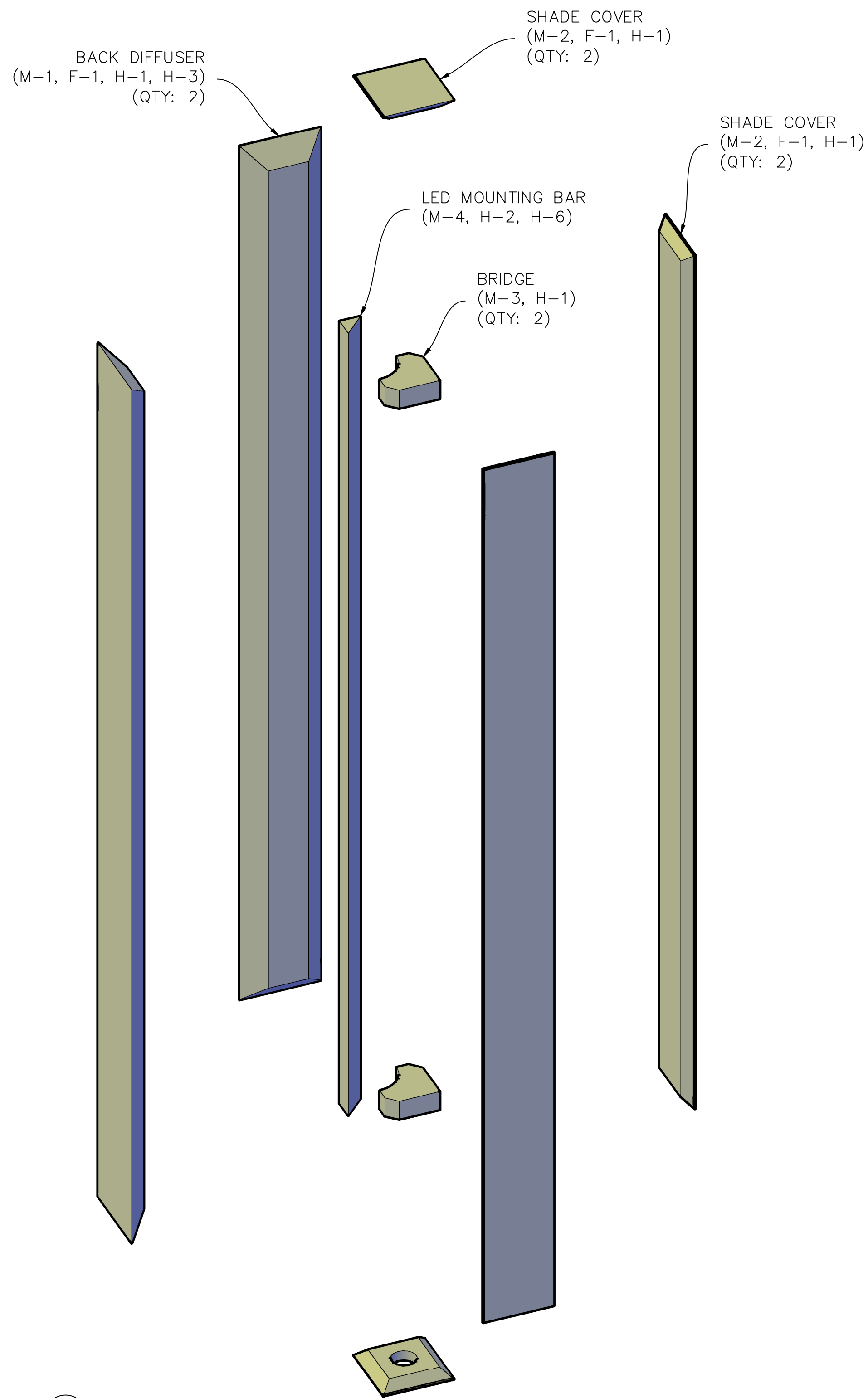
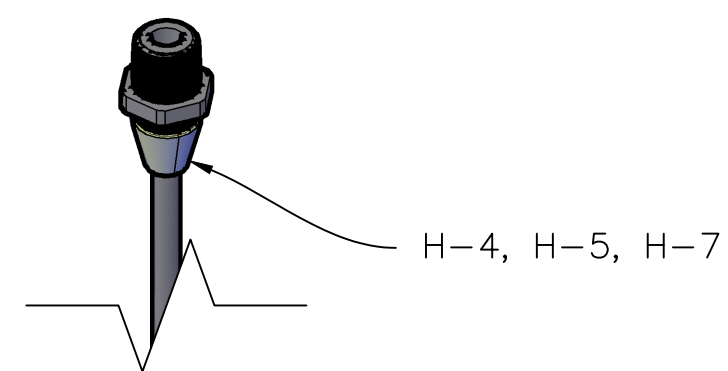


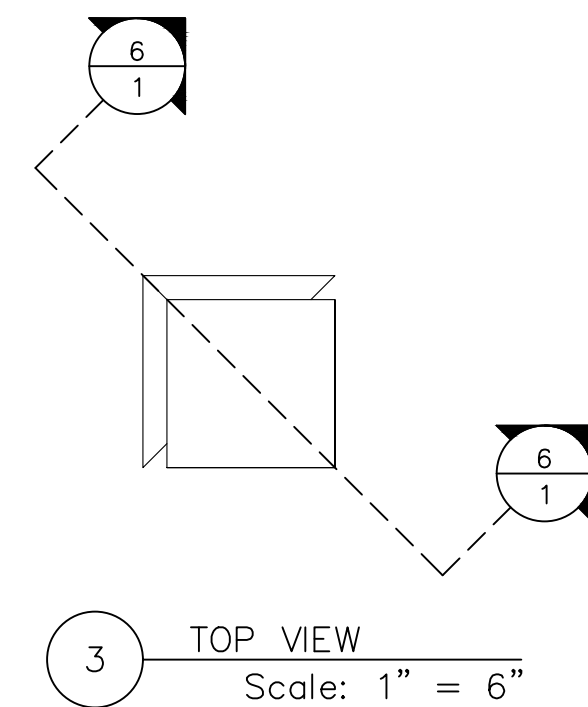
1 ISOMETRIC VIEW  
Scale: NTS



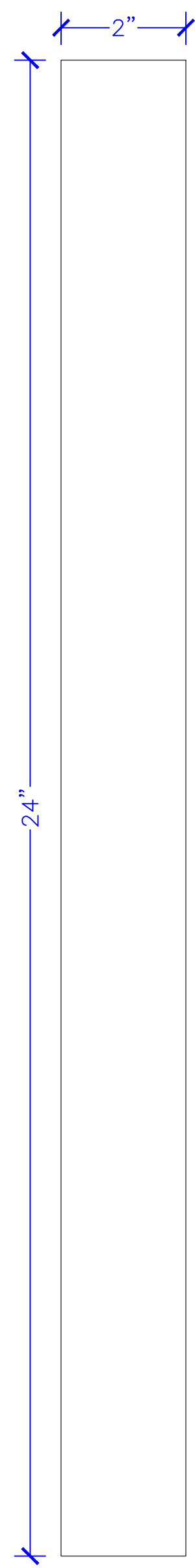
2 EXPLODED VIEW  
Scale: NTS



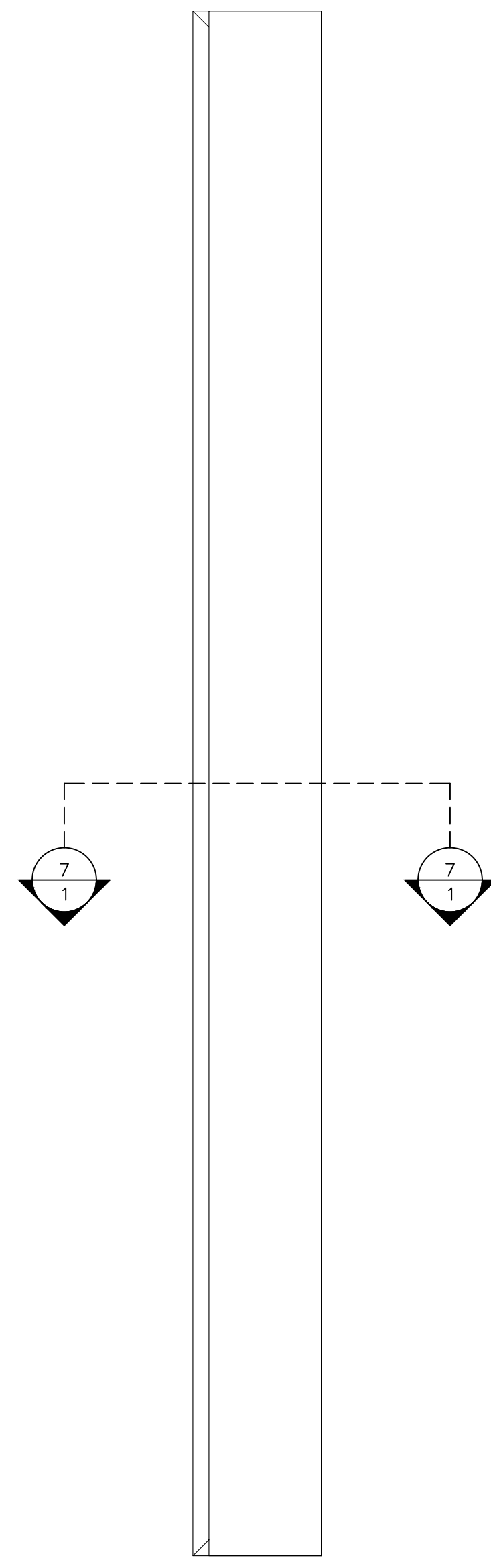
H-4, H-5, H-7



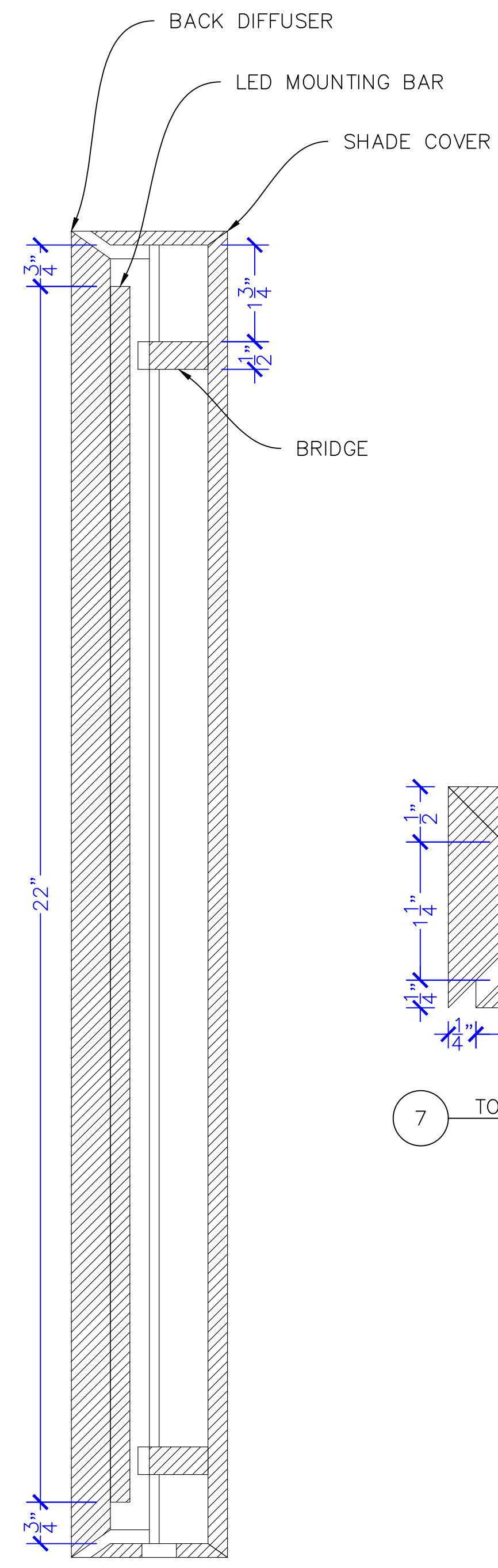
3 TOP VIEW  
Scale: 1" = 6"



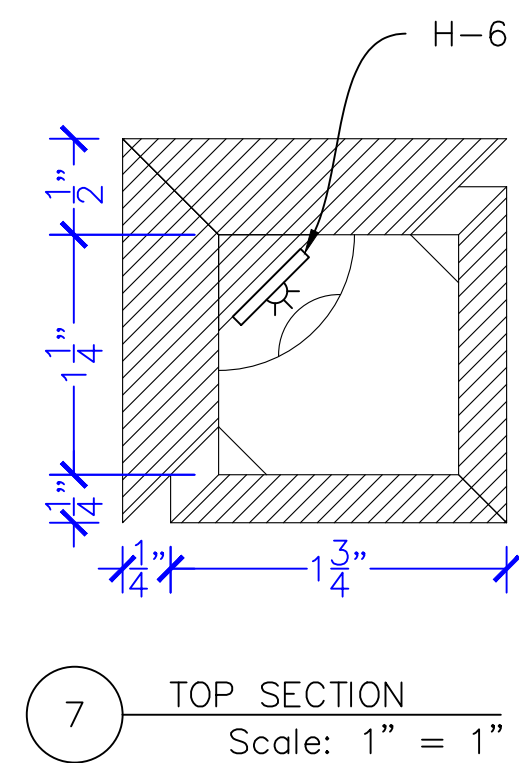
4 LEFT VIEW  
Scale: 1" = 6"



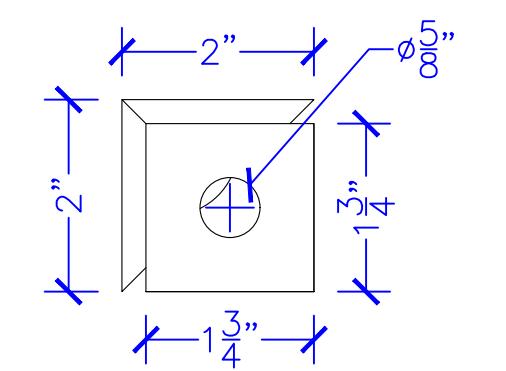
5 FRONT VIEW  
Scale: 1" = 6"



6 AUXILIARY SECTION  
Scale: 1" = 6"



7 TOP SECTION  
Scale: 1" = 1"



8 BOTTOM VIEW  
Scale: 1" = 6"

HARDWARE/FASTENER SCHEDULE	
ID	DESCRIPTION
H-1	#4 WELD-ON SOLVENT CEMENT (SKU: 46872)
H-2	#16 WELD-ON SOLVENT CEMENT (SKU: 10315)
H-3	SCOTCH DOUBLED SIDED MOUNTING TAPE (SKU: 414-LONG/DC)
H-4	CRIMSON WIRE CLOTH (SKU: W3-615B)
H-5	BLACK WIRE GRIP (SKU: PSR-001-001)
H-6	3000K LED STRIP, 12V (SKU: STN-A30K80-B3A-08C5M-12V)
H-7	12V, 2A POWER SUPPLY (SKU: ISP-NW-PS-12V-WP-UL-24W)

MATERIALS SCHEDULE	
ID	DESCRIPTION
M-1	1/2" MILK WHITE ACRYLIC SHEET
M-2	1/4" P95 MATTE BLACK ACRYLIC SHEET
M-3	1/2" CLEAR ACRYLIC SHEET
M-4	1/2" CLEAR TRIANGULAR ACRYLIC ROD

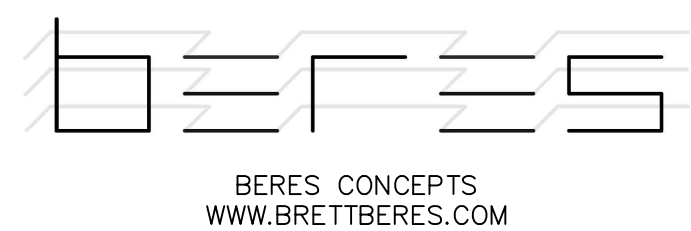
PAINT/FINISH SCHEDULE	
ID	DESCRIPTION
F-1	SAND EDGES TO MATTE FINISH, 100 GRIT

GENERAL NOTES

BACK DIFFUSER, SHADE COVER - SAW CUT 45° MITER

LED MOUNTING BAR - SAW CUT

BRIDGES - LASER CUT



DESCRIPTION:  
LEVITATION LAMP

DATE: 02/04/2023	DRAWN BY: B. BERES
SCALE: SCALE AS NOTED	SHEET: 1 OF 1