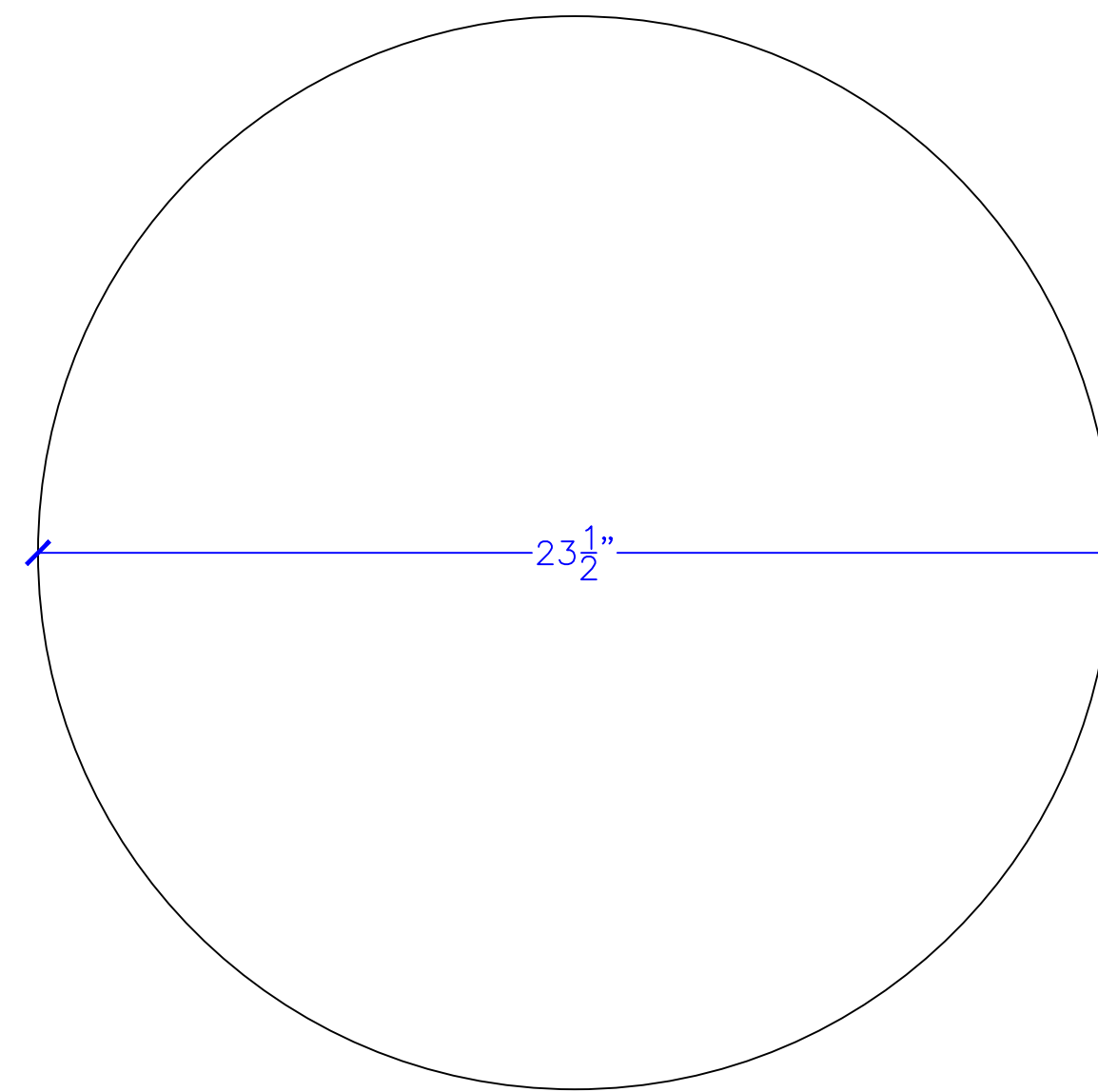




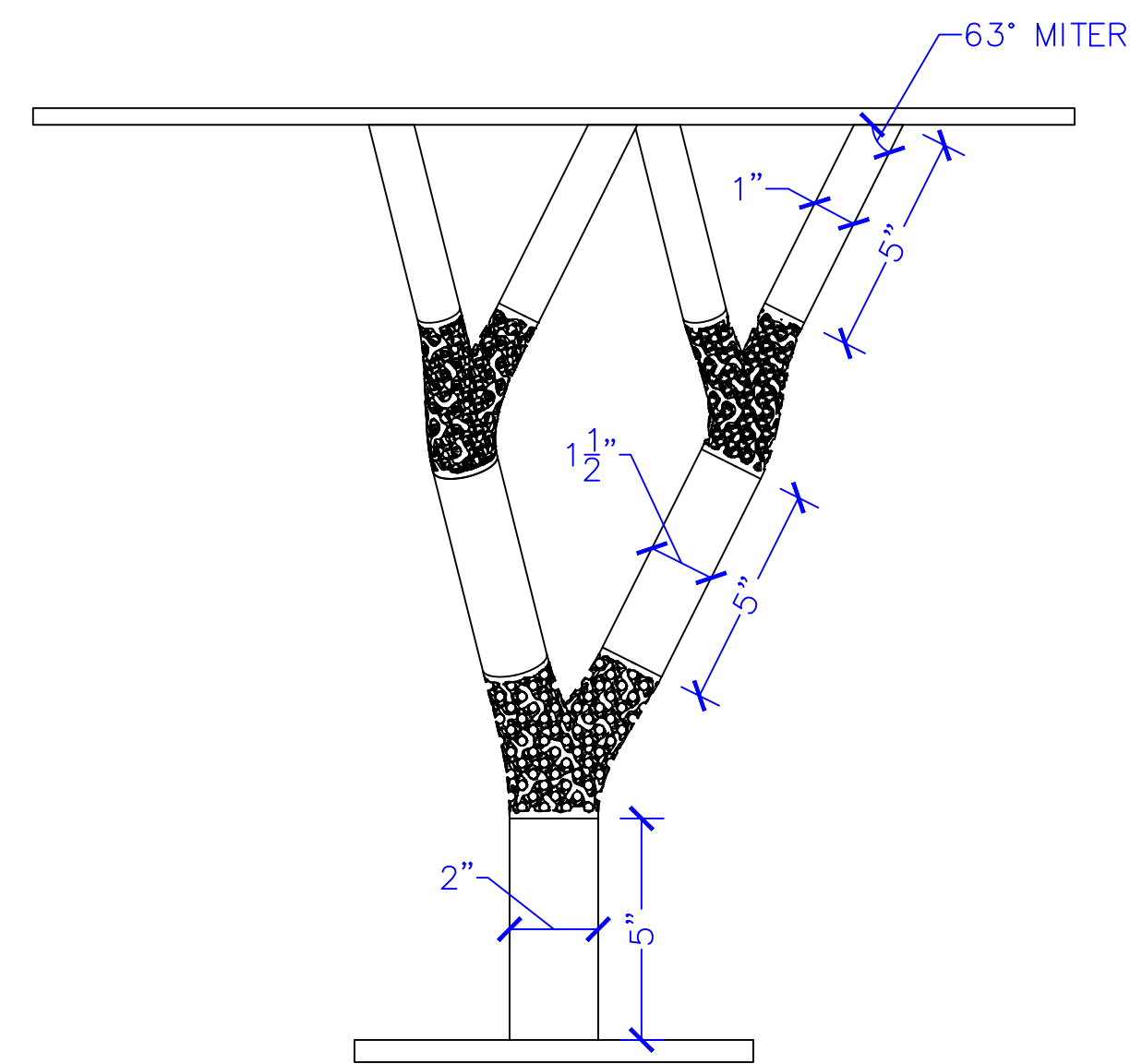
1 ISOMETRIC VIEW  
Scale: NTS



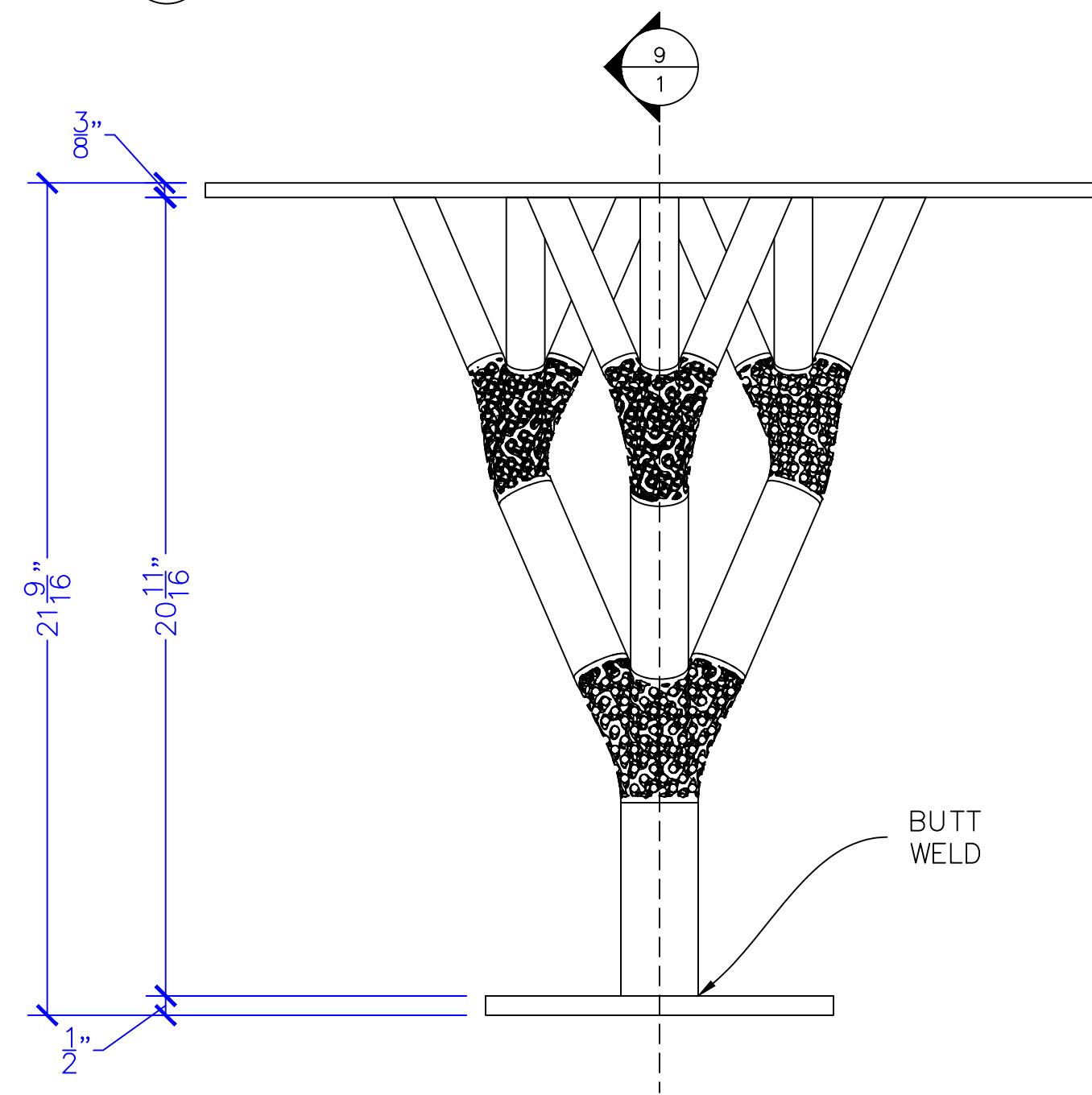
3 ISOMETRIC VIEW – TOP JOINT  
Scale: NTS



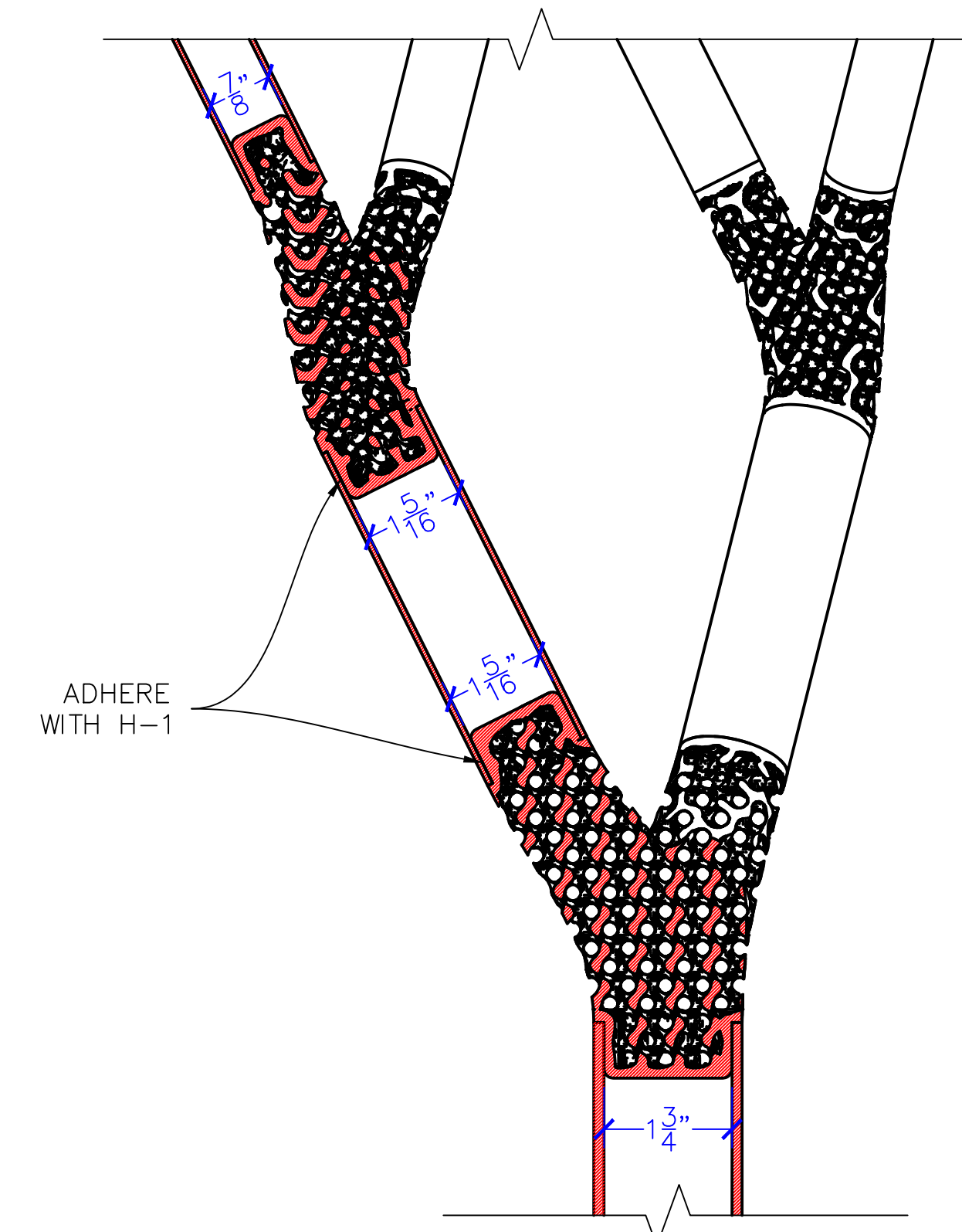
5 TOP VIEW  
Scale: 3" = 12"



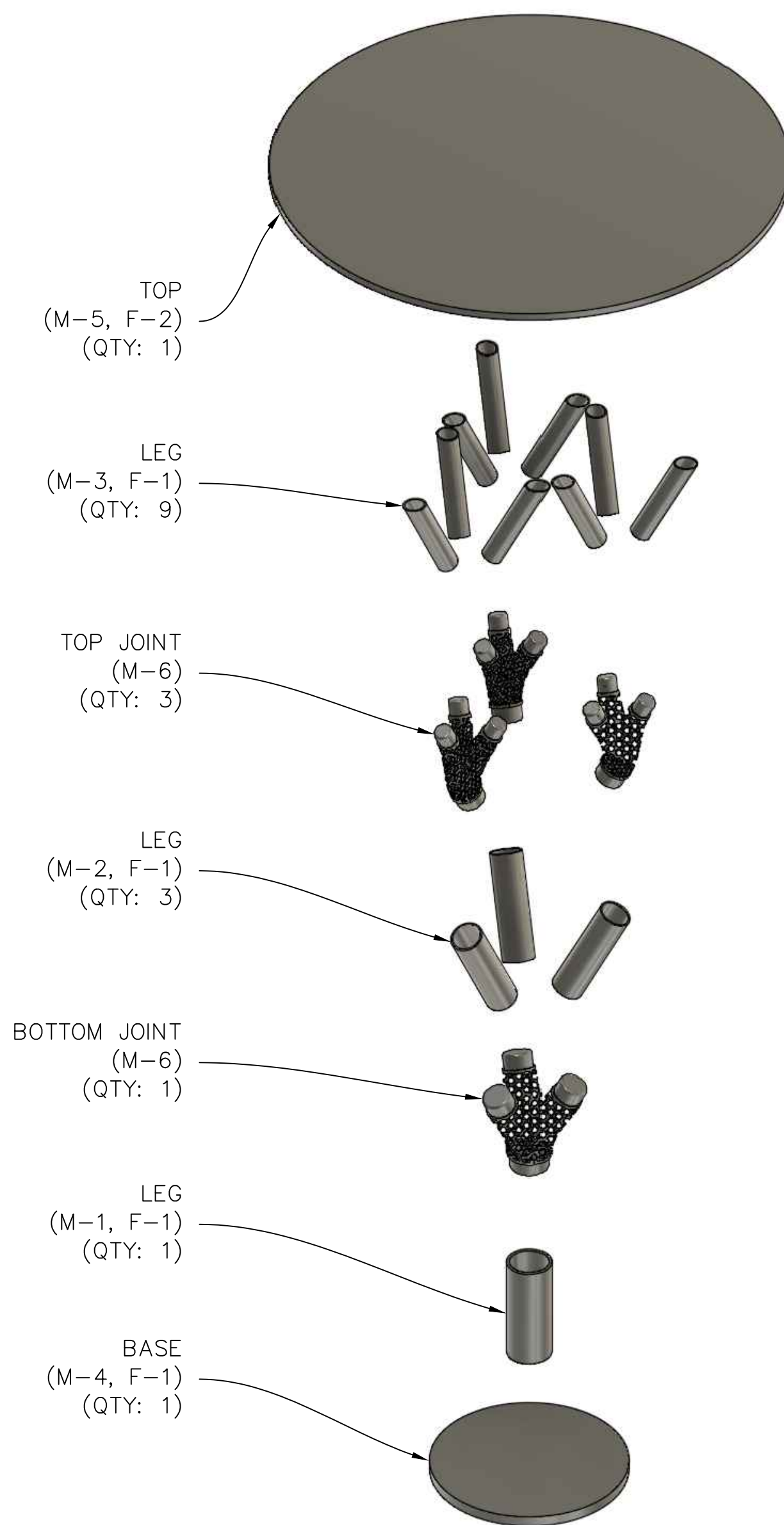
6 LEFT VIEW  
Scale: 3" = 12"



7 FRONT VIEW  
Scale: 3" = 12"



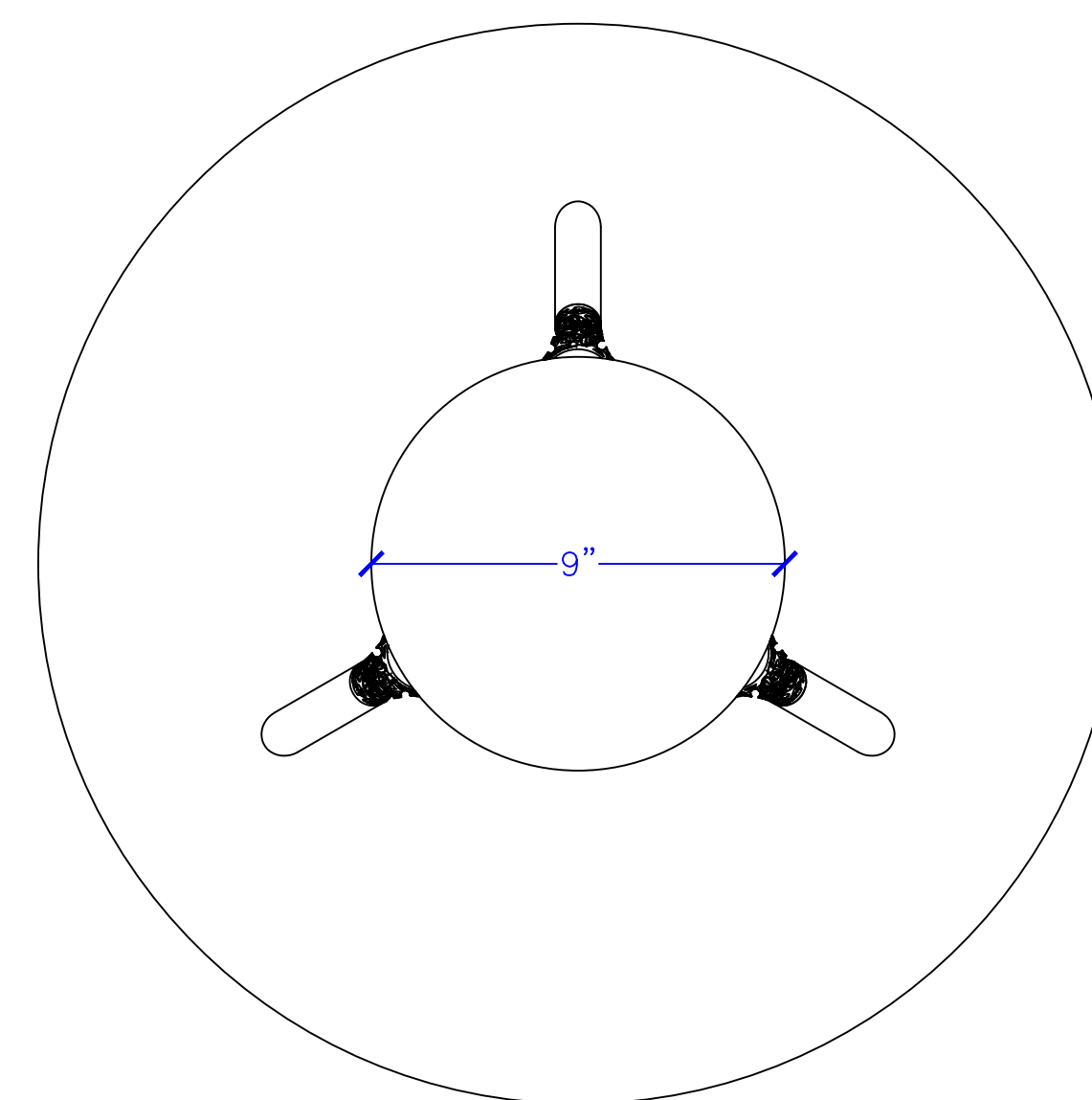
9 SECTION – RIGHT VIEW  
Scale: 6" = 12"



2 EXPLODED VIEW  
Scale: NTS



4 ISOMETRIC VIEW – BOTTOM JOINT  
Scale: NTS



8 BOTTOM VIEW  
Scale: 3" = 12"

HARDWARE/FASTNER SCHEDULE	
ID	DESCRIPTION
H-1	LOCTITE EPOXY PLASTIC BONDER (SKU: 136118)

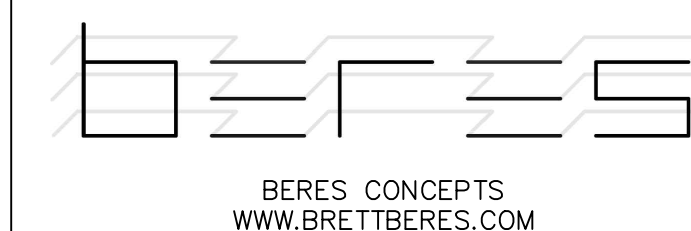
MATERIALS SCHEDULE	
ID	DESCRIPTION
M-1	2" Ø ALUMINUM TUBE, 3/8" WALL
M-2	1-1/2" Ø ALUMINUM TUBE, 3/8" WALL
M-3	1" Ø ALUMINUM TUBE, 1/16" WALL
M-4	1/2" ALUMINUM SHEET
M-5	3/8" SMOKE GREY ACRYLIC SHEET
M-6	PRUSAMENT JET BLACK PETG FDM FILAMENT

PAINT/FINISH SCHEDULE	
ID	DESCRIPTION
F-1	PAINT GUNMETAL GREY
F-2	BUFF EDGES, CRAFTICS BUFFING KIT (SKU: LAS-401012)

GENERAL NOTES

JOINTS – 3D PRINT  
LEGS – SAW CUT  
TOP, BASE – CNC CUT



DESCRIPTION: BRANCH TABLE	
DATE: 04/01/2024	DRAWN BY: B. BERES
SCALE: SCALE AS NOTED	SHEET: 1 OF 1