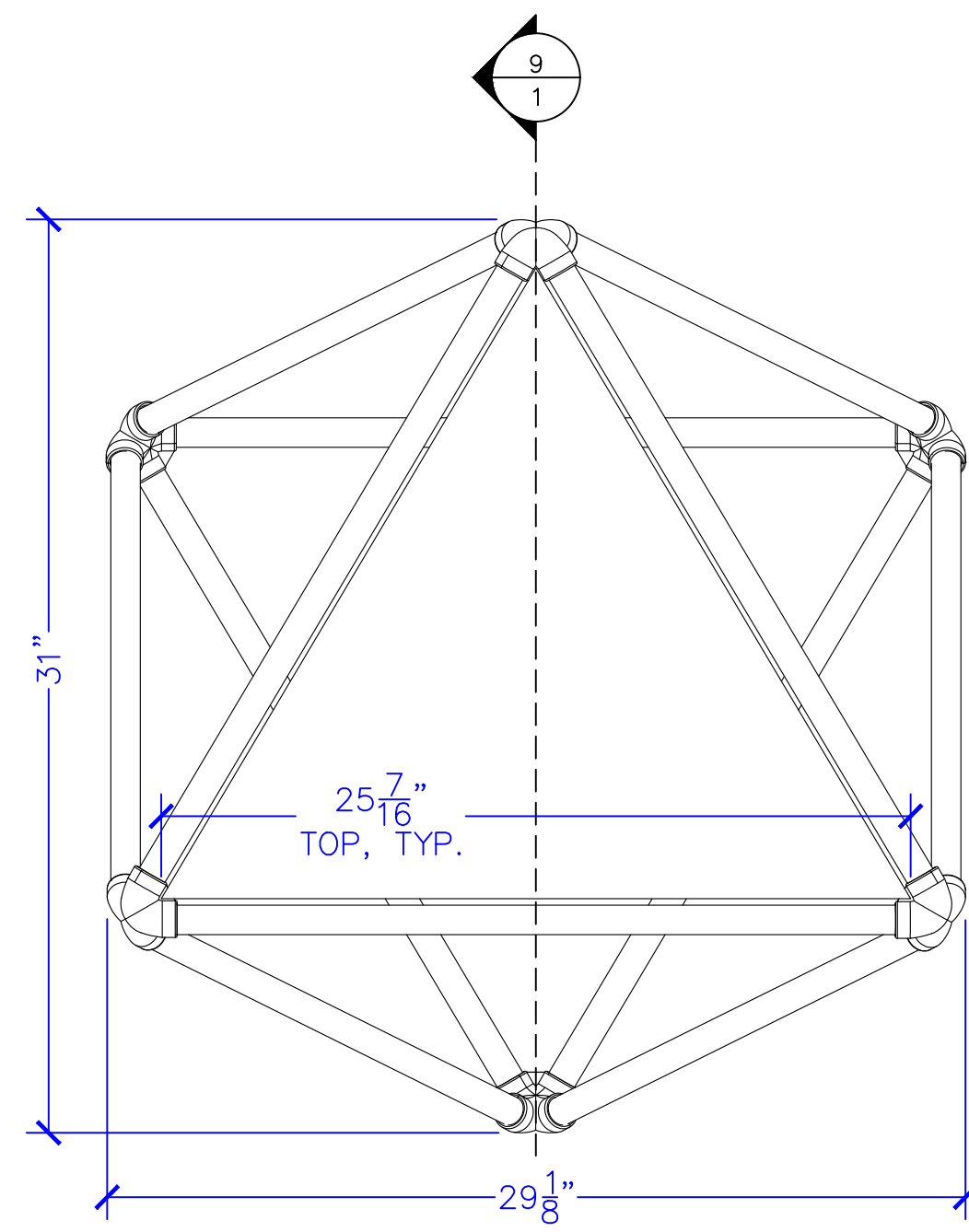
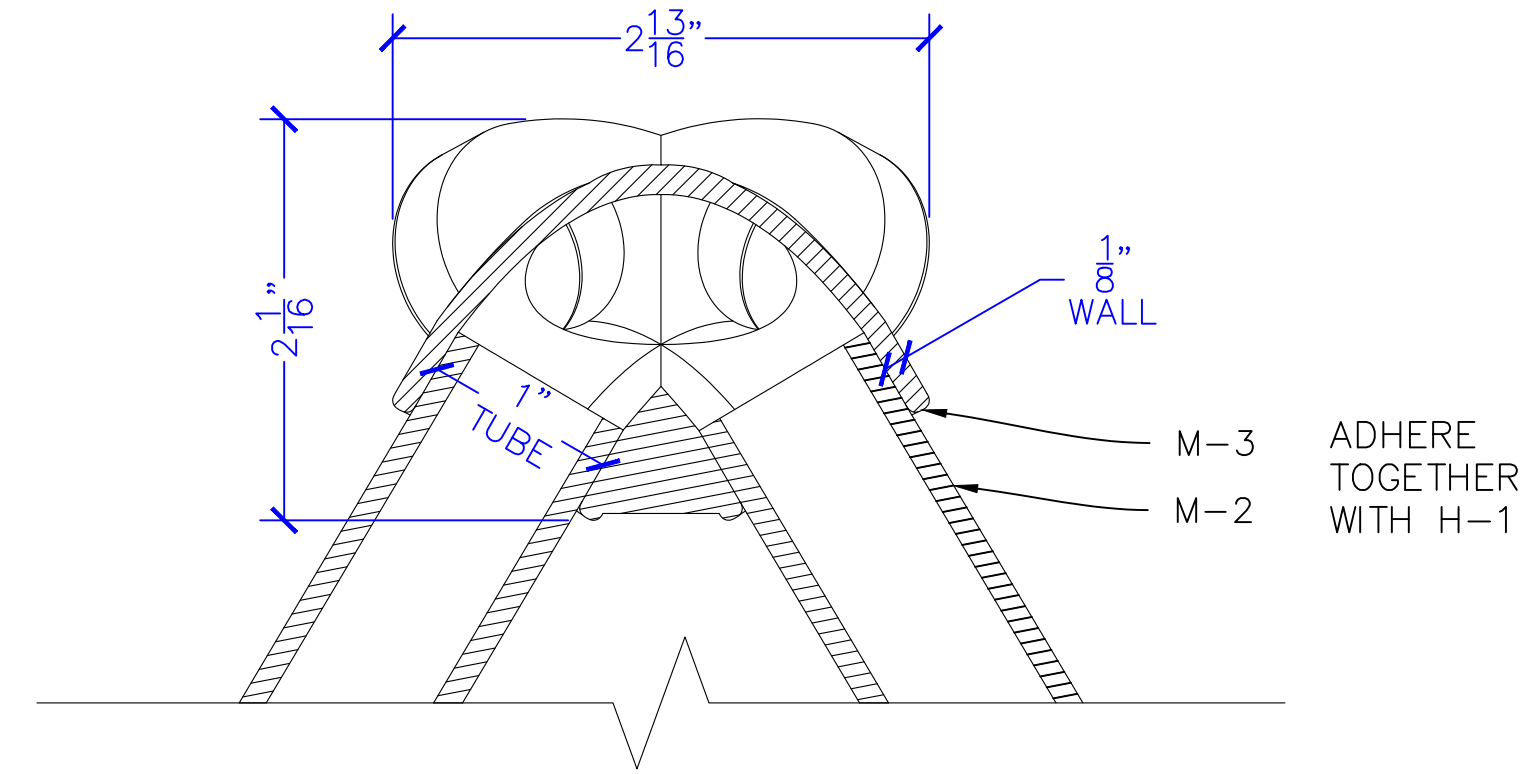


1 ISOMETRIC VIEW
Scale: NTS



4 TOP VIEW
Scale: 1" = 6"



7 SECTION DETAIL - ELBOW TOP VIEW
Scale: 1" = 1"

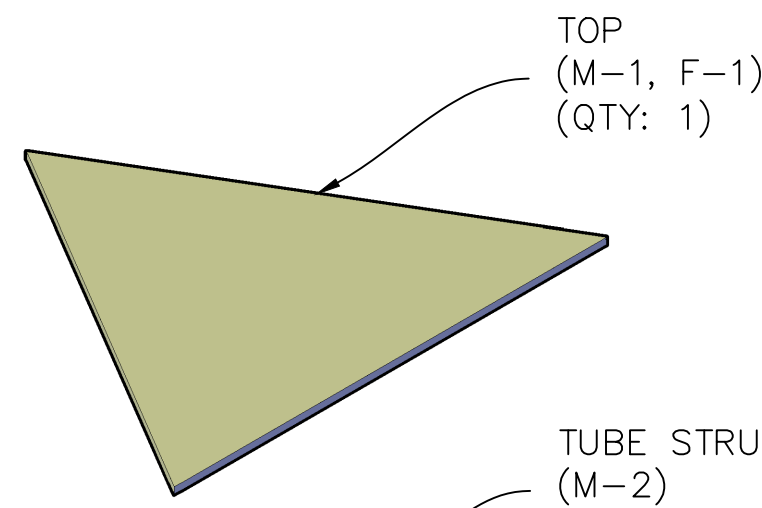
HARDWARE/FASTENER SCHEDULE	
ID	DESCRIPTION
H-1	LOCTITE EPOXY PLASTIC BONDER (SKU: 1363118)

MATERIALS SCHEDULE	
ID	DESCRIPTION
M-1	3/8" CLEAR ACRYLIC SHEET
M-2	1" Ø TRANSPARENT AMBER ROUND ACRYLIC TUBE
M-3	PRUSAMENT JET BLACK PETG FDM FILAMENT

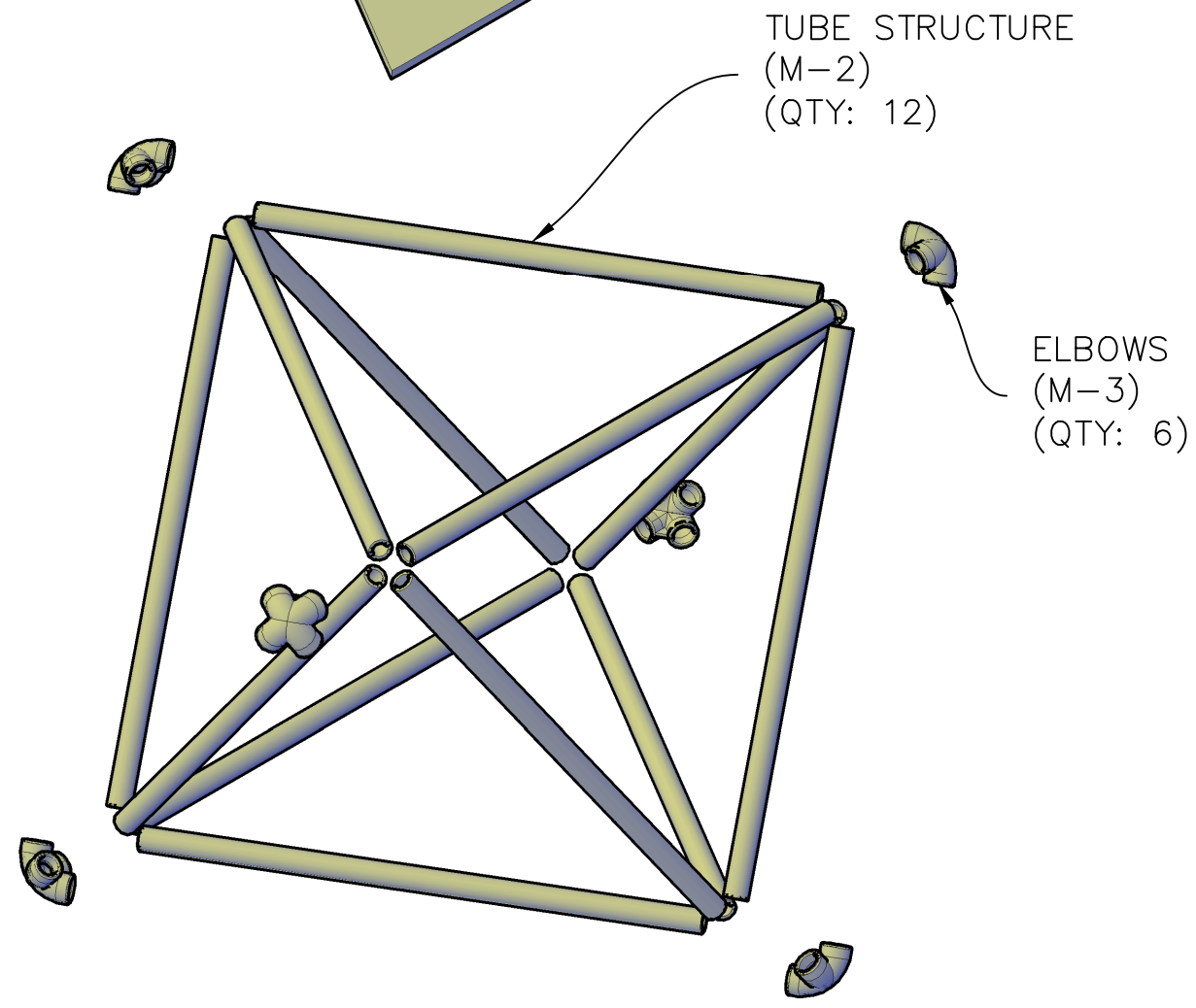
PAINT/FINISH SCHEDULE	
ID	DESCRIPTION
F-1	BUFF EDGES, CRAFTICS BUFFING KIT (SKU: LAS-401012)

GENERAL NOTES

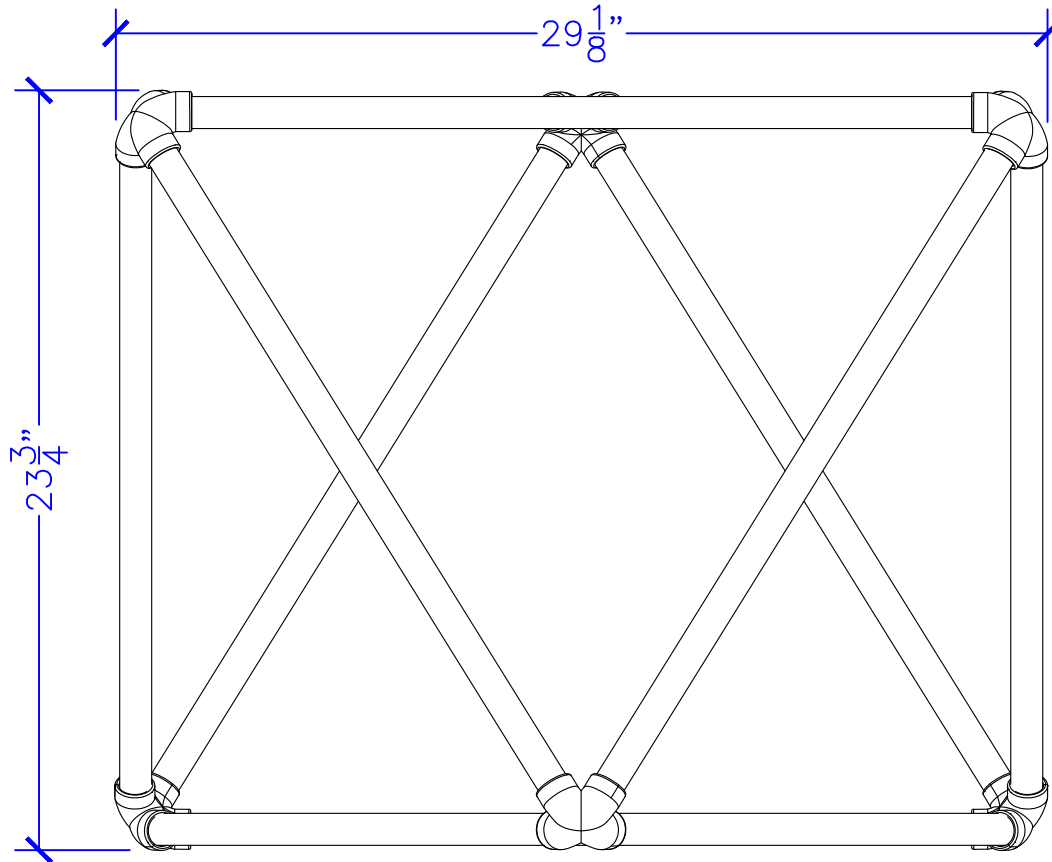
ELBOWS - 3D PRINT
STRUCTURE - SAW CUT
TOP - LASER CUT



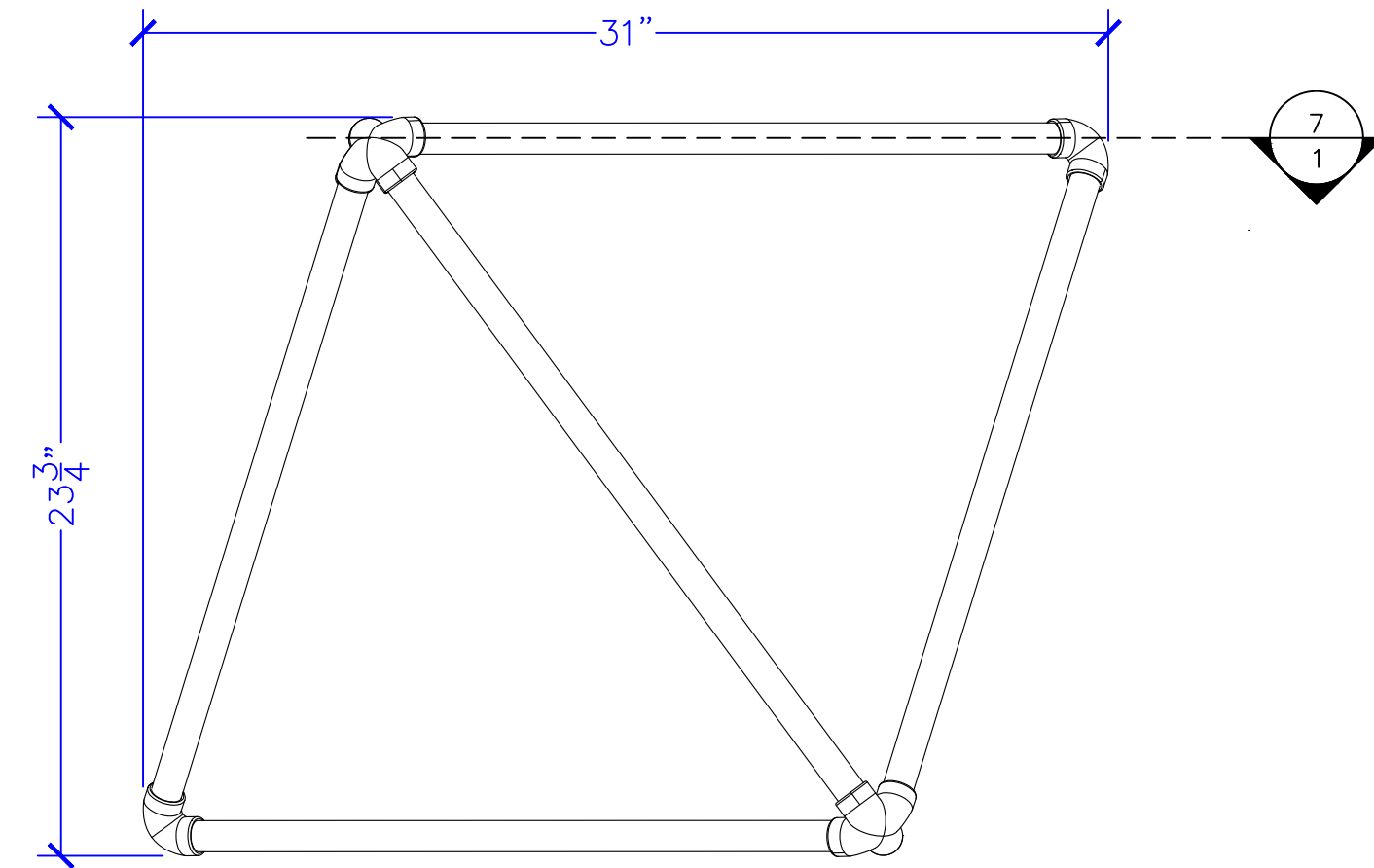
TOP (M-1, F-1)
(QTY: 1)



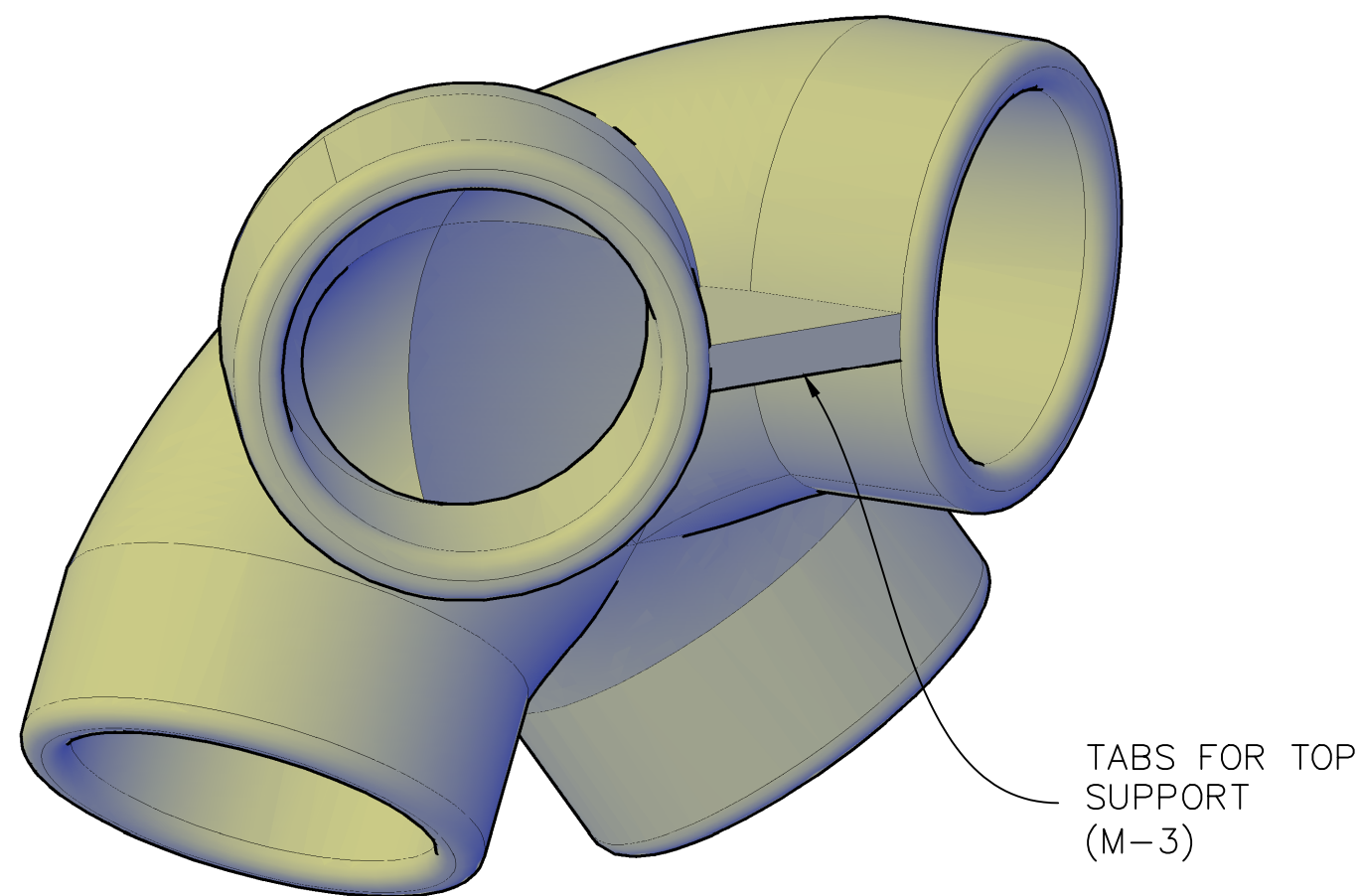
2 EXPLODED VIEW
Scale: NTS



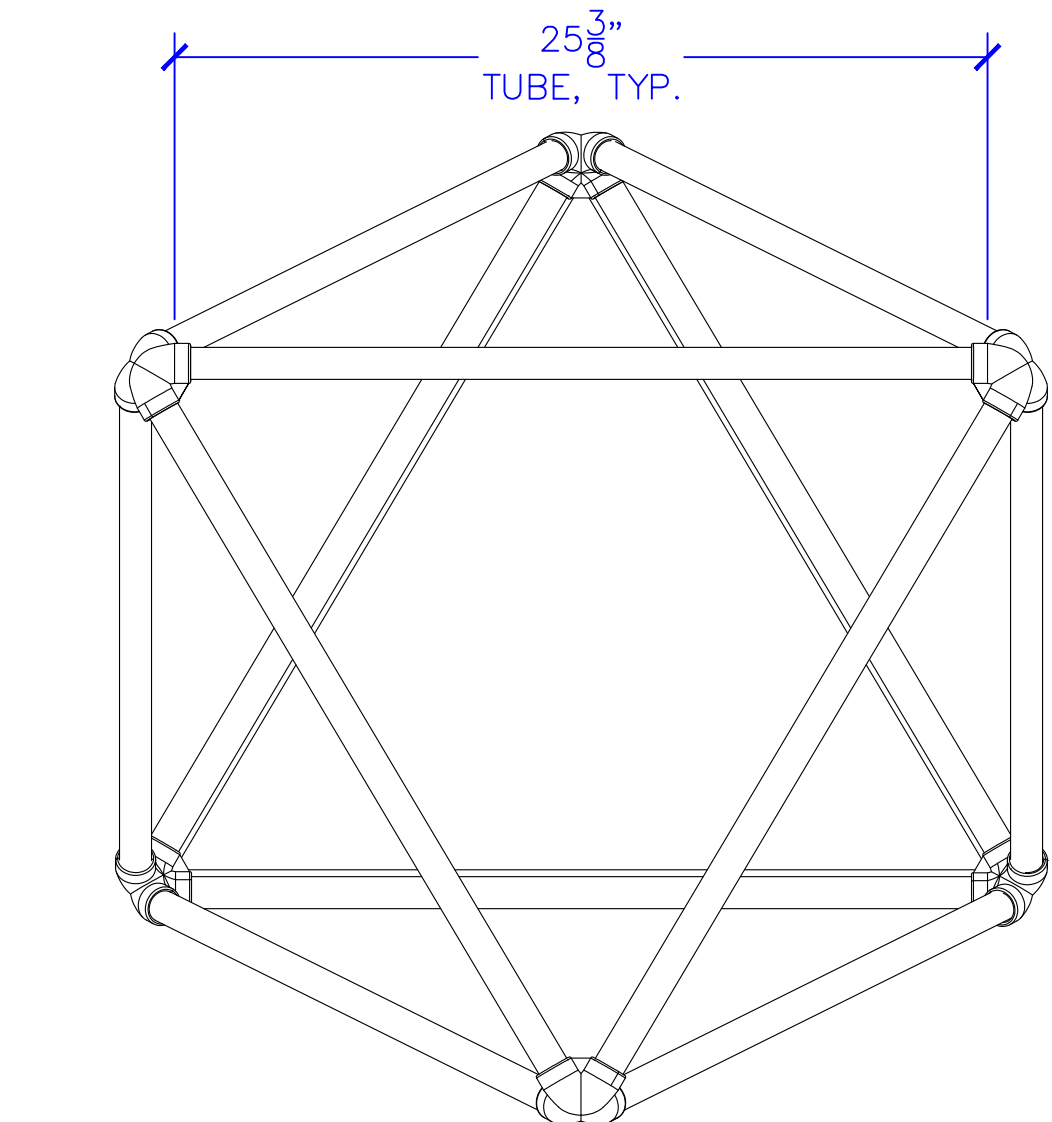
5 FRONT VIEW
Scale: 1" = 6"



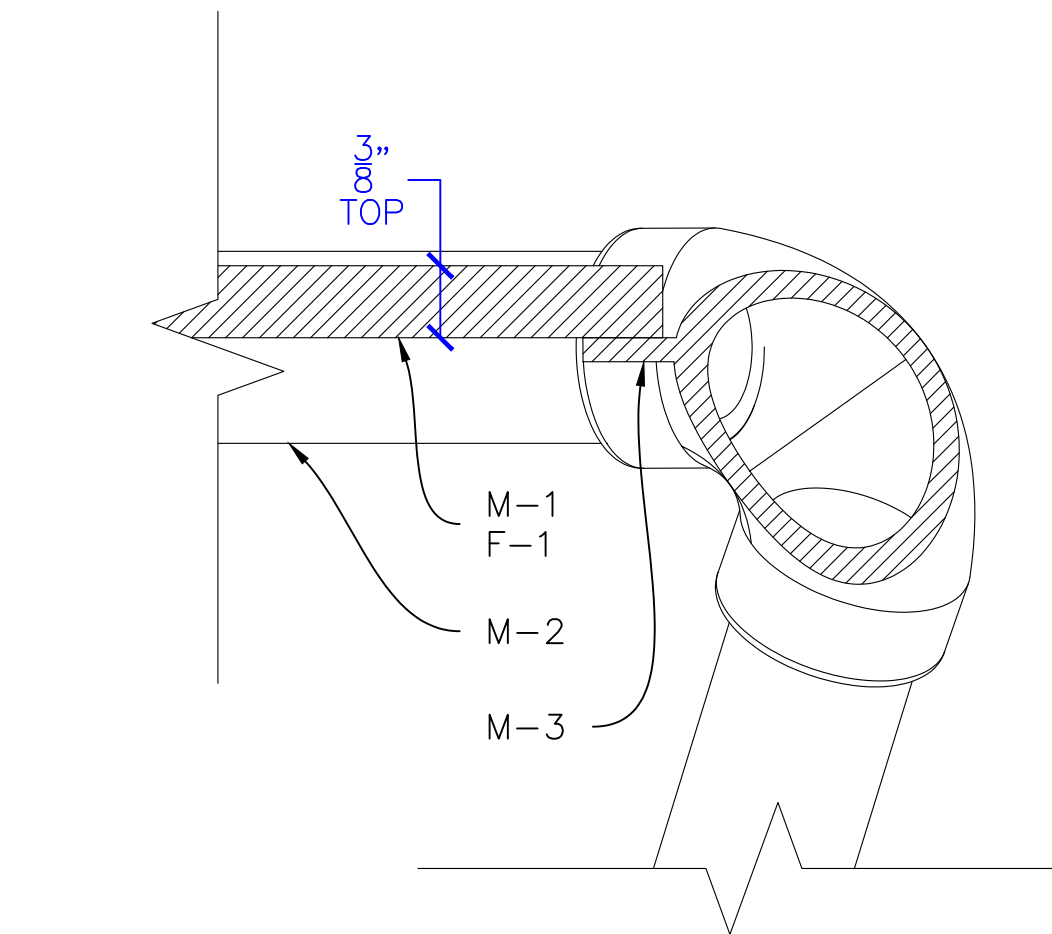
8 RIGHT VIEW
Scale: 1" = 6"



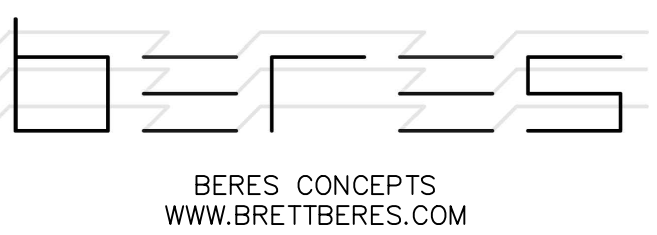
3 ISOMETRIC VIEW - ELBOWS
Scale: NTS



6 BOTTOM VIEW
Scale: 1" = 6"



9 SECTION DETAIL - ELBOW RIGHT VIEW
Scale: 1" = 1"



DESCRIPTION:
OCTAHEDRON TABLE

DATE: 01/04/2024	DRAWN BY: B. BERES
SCALE: SCALE AS NOTED	SHEET: 1 OF 1