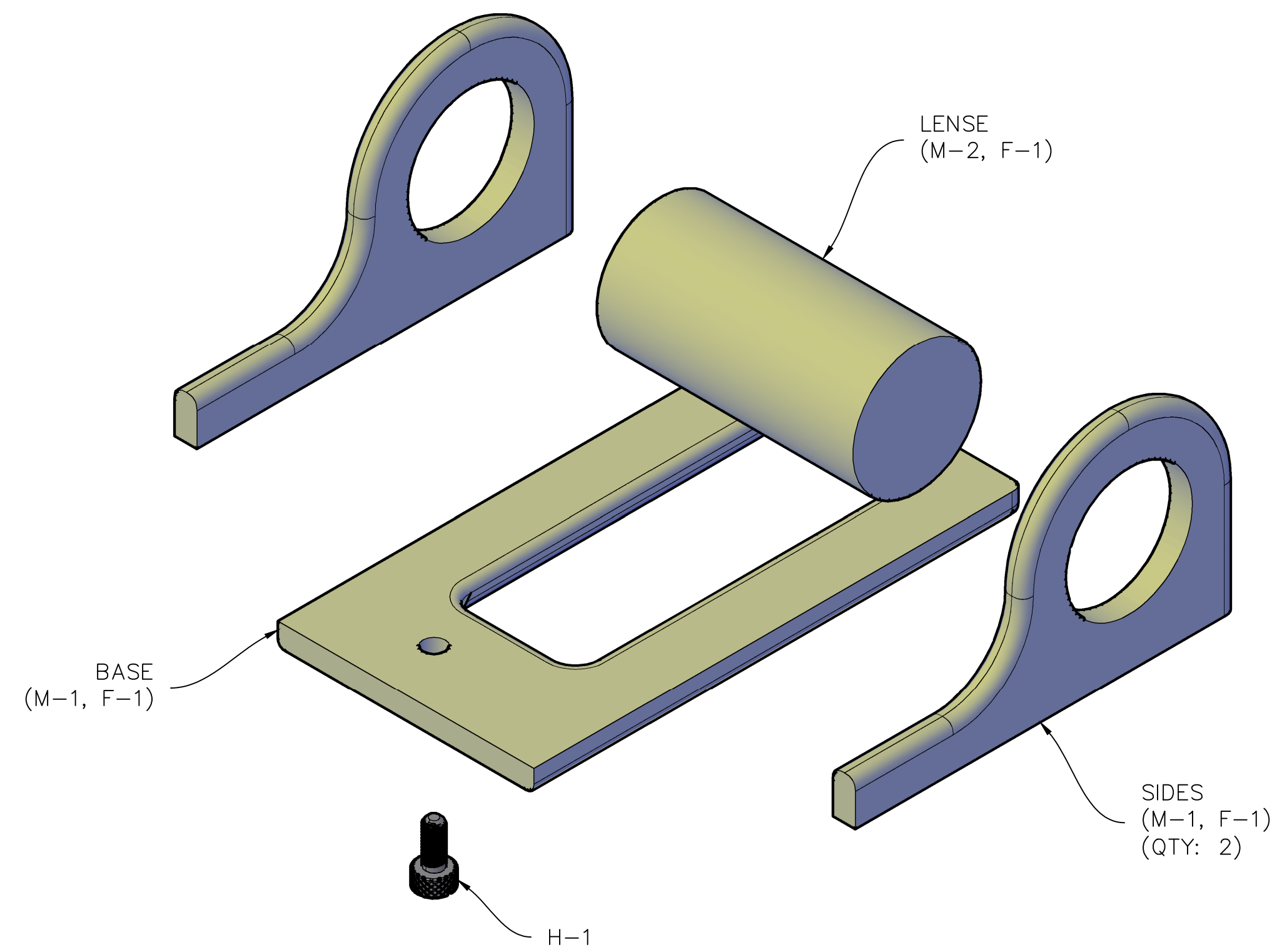
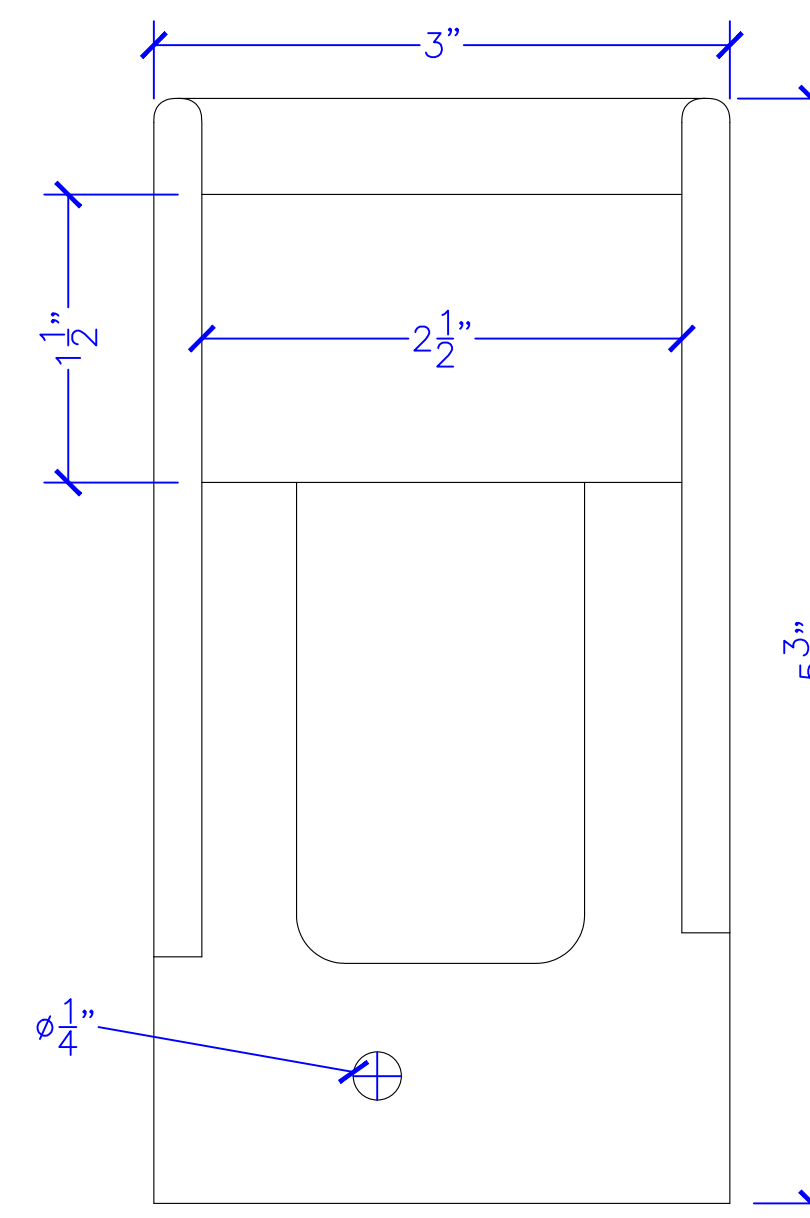


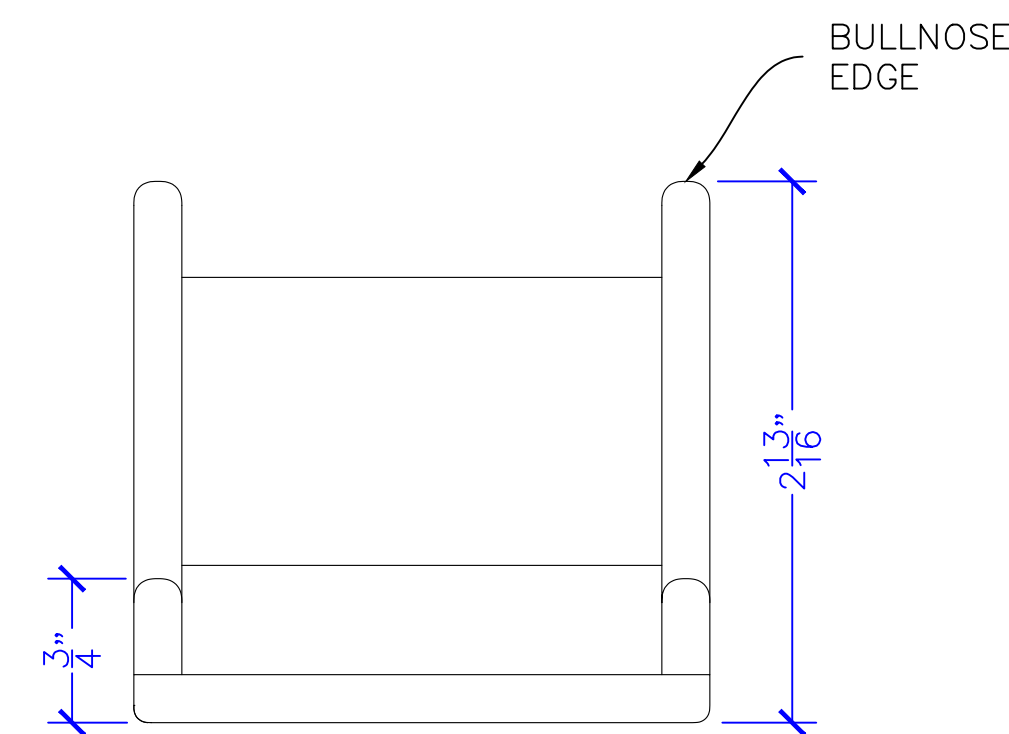
1 ISOMETRIC VIEW
Scale: NTS



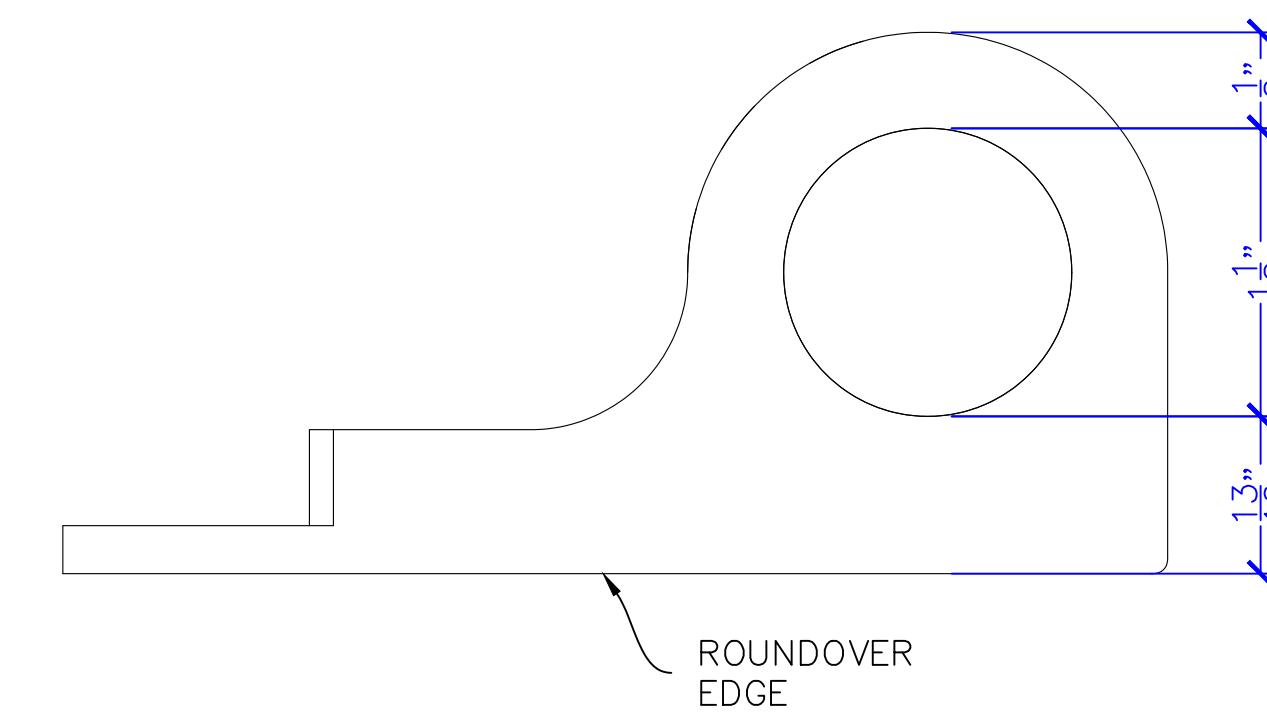
2 EXPLODED VIEW
Scale: NTS



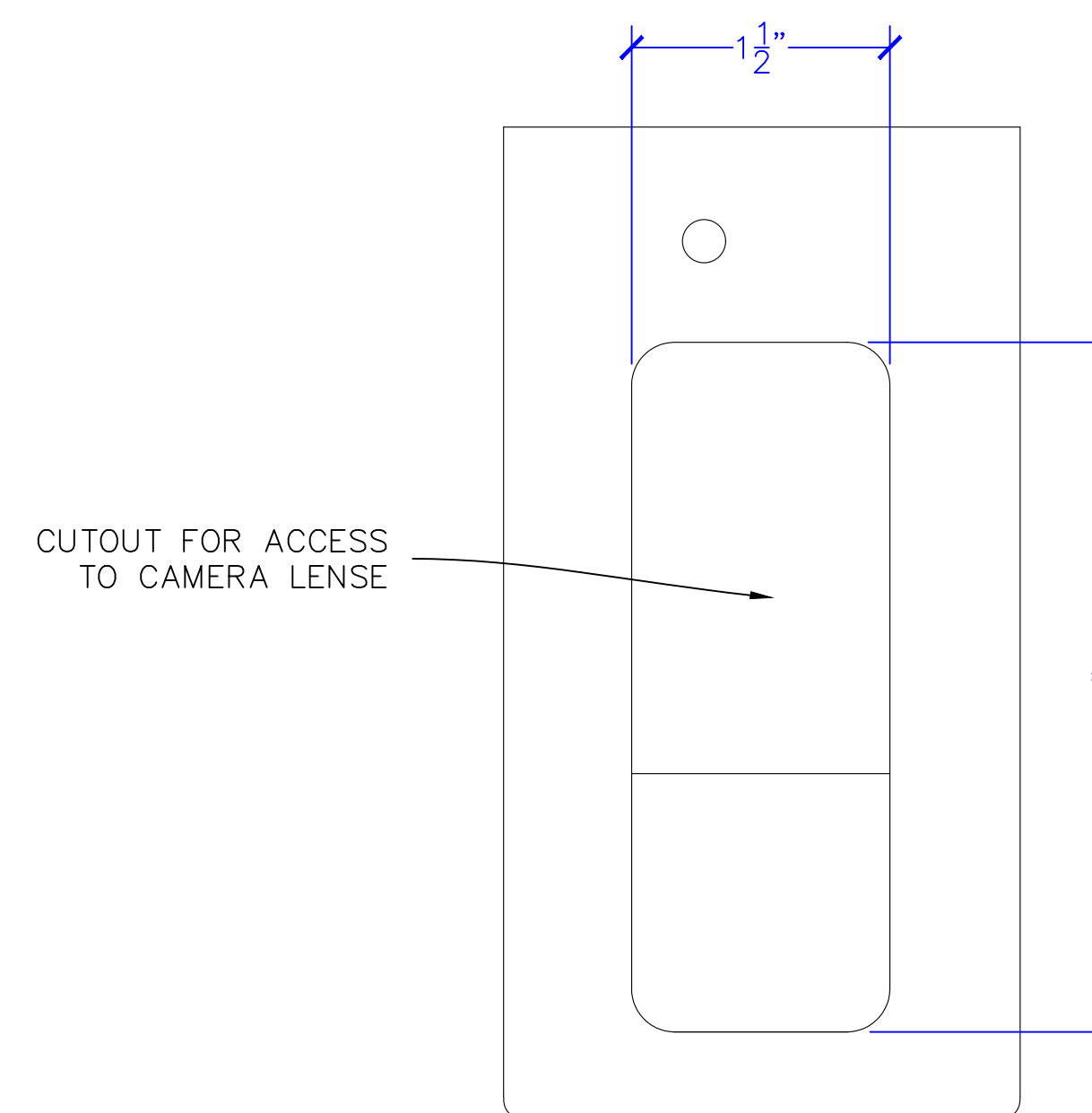
3 TOP VIEW
Scale: 1:1



4 FRONT VIEW
Scale: 1:1



6 RIGHT VIEW
Scale: 1:1



5 BOTTOM VIEW
Scale: 1:1

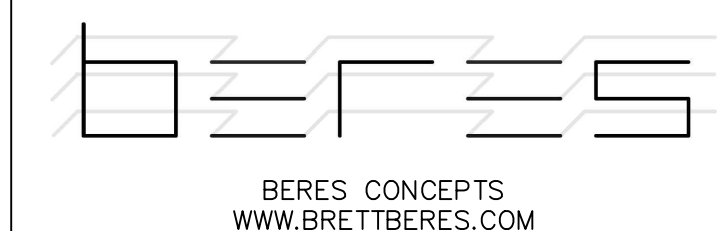
HARDWARE/FASTENER SCHEDULE	
ID	DESCRIPTION
H-1	#10-32 KNURLED THUMB SCREW, 1/2" L (SKU: 91746A700)
H-2	#4 WELD-ON SOLVENT CEMENT (SKU: 46872)

MATERIALS SCHEDULE	
ID	DESCRIPTION
M-1	1/4" FROSTED ACRYLIC
M-2	1-1/2" Ø CLEAR ACRYLIC ROD

PAINT/FINISH SCHEDULE	
ID	DESCRIPTION
F-1	BUFF EDGES, CRAFTICS BUFFING KIT (SKU: LAS-401012)

GENERAL NOTES

LENSE - SAW CUT
SIDES, BASE - LASER CUT, ROUT EDGES



DESCRIPTION: LIGHT WARPEN	
DATE: 02/04/2023	DRAWN BY: B. BERES
SCALE: SCALE AS NOTED	SHEET: 1 OF 1