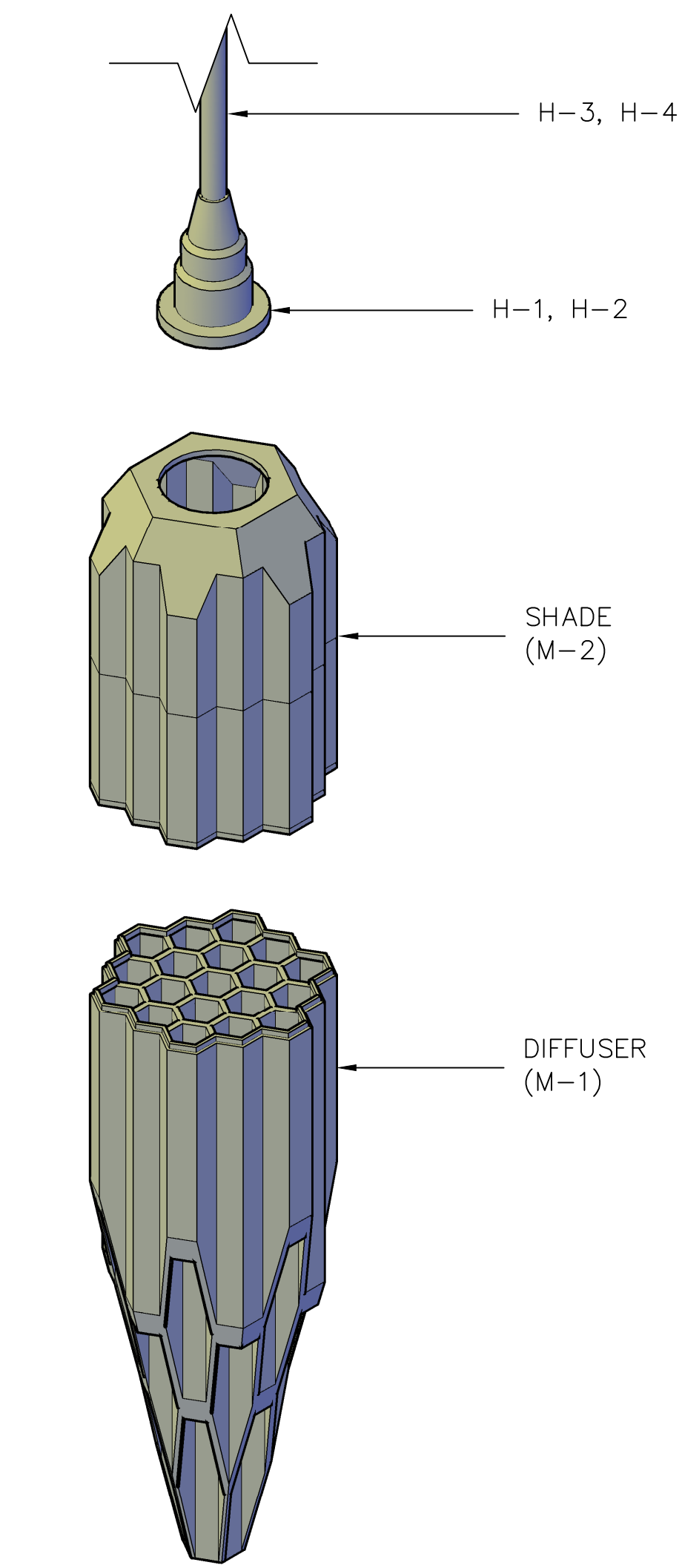
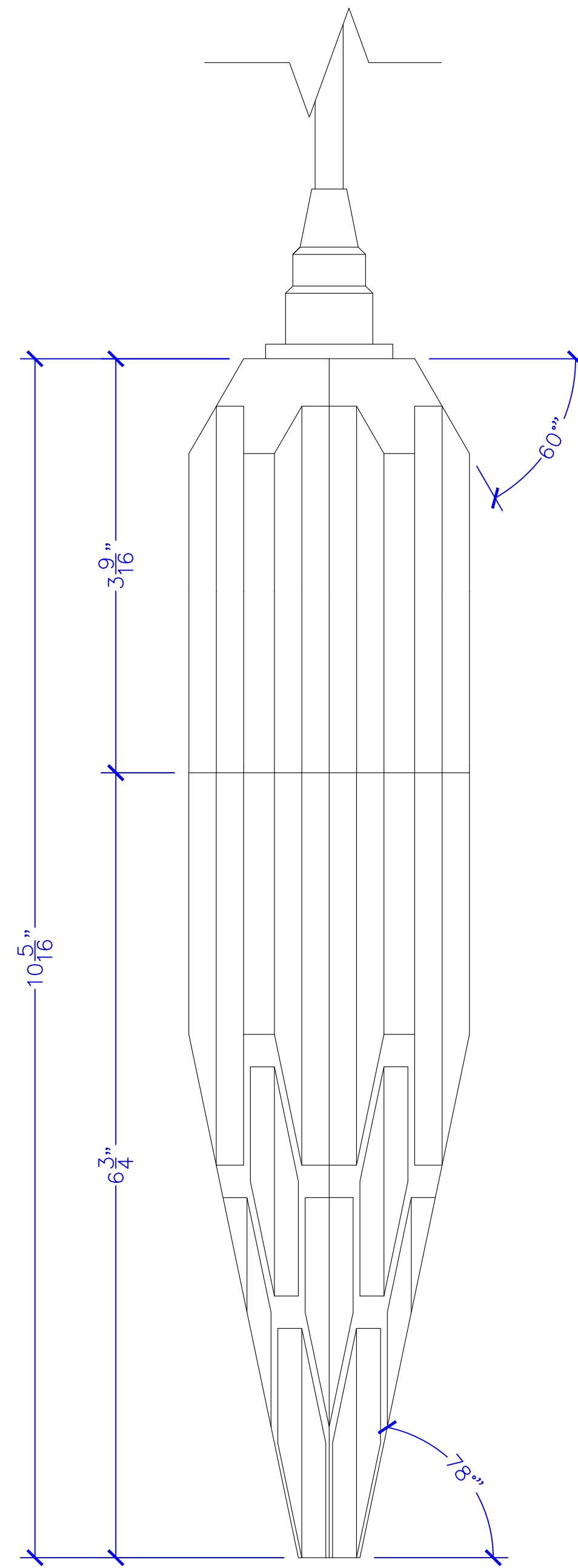


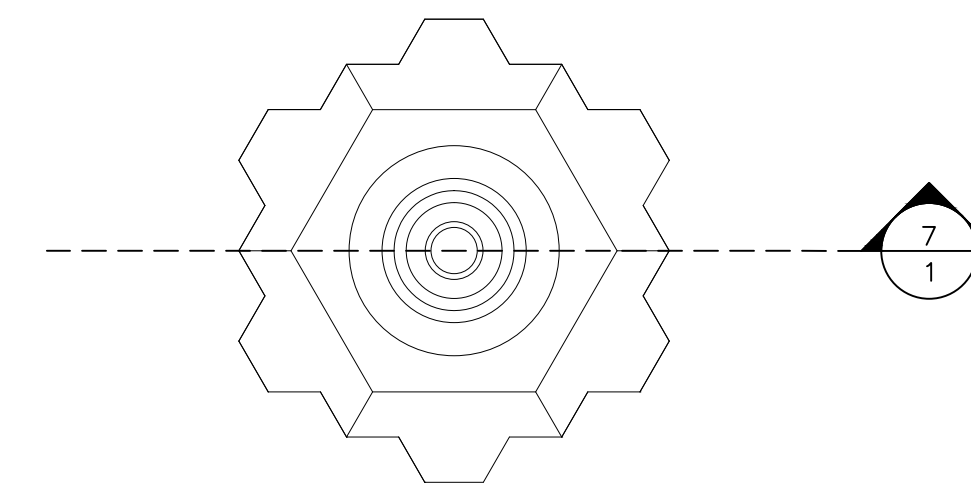
1 ISOMETRIC VIEW
Scale: NTS



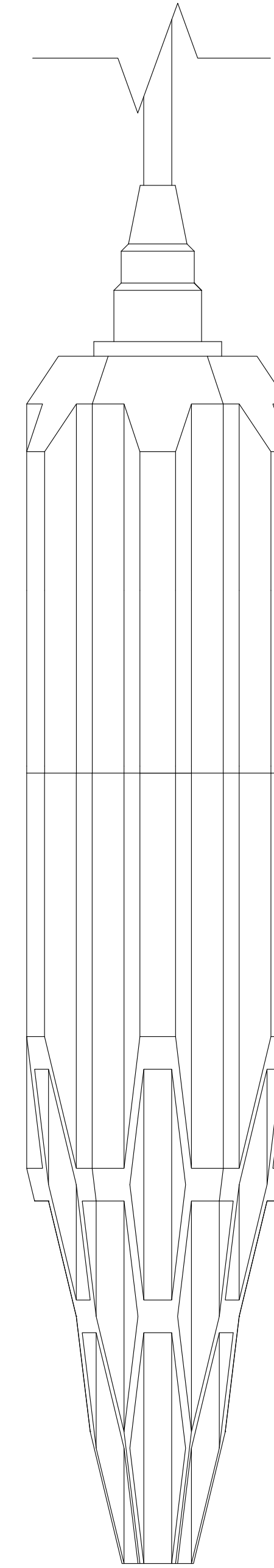
2 EXPLODED VIEW
Scale: NTS



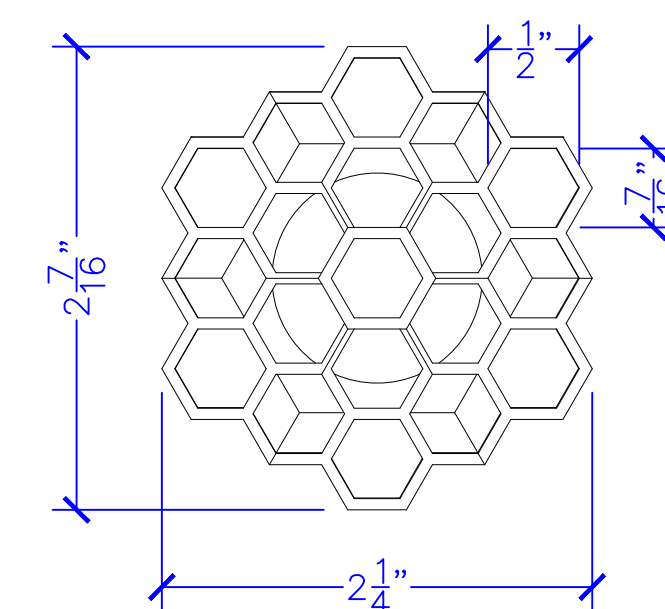
3 LEFT VIEW
Scale: 1:1



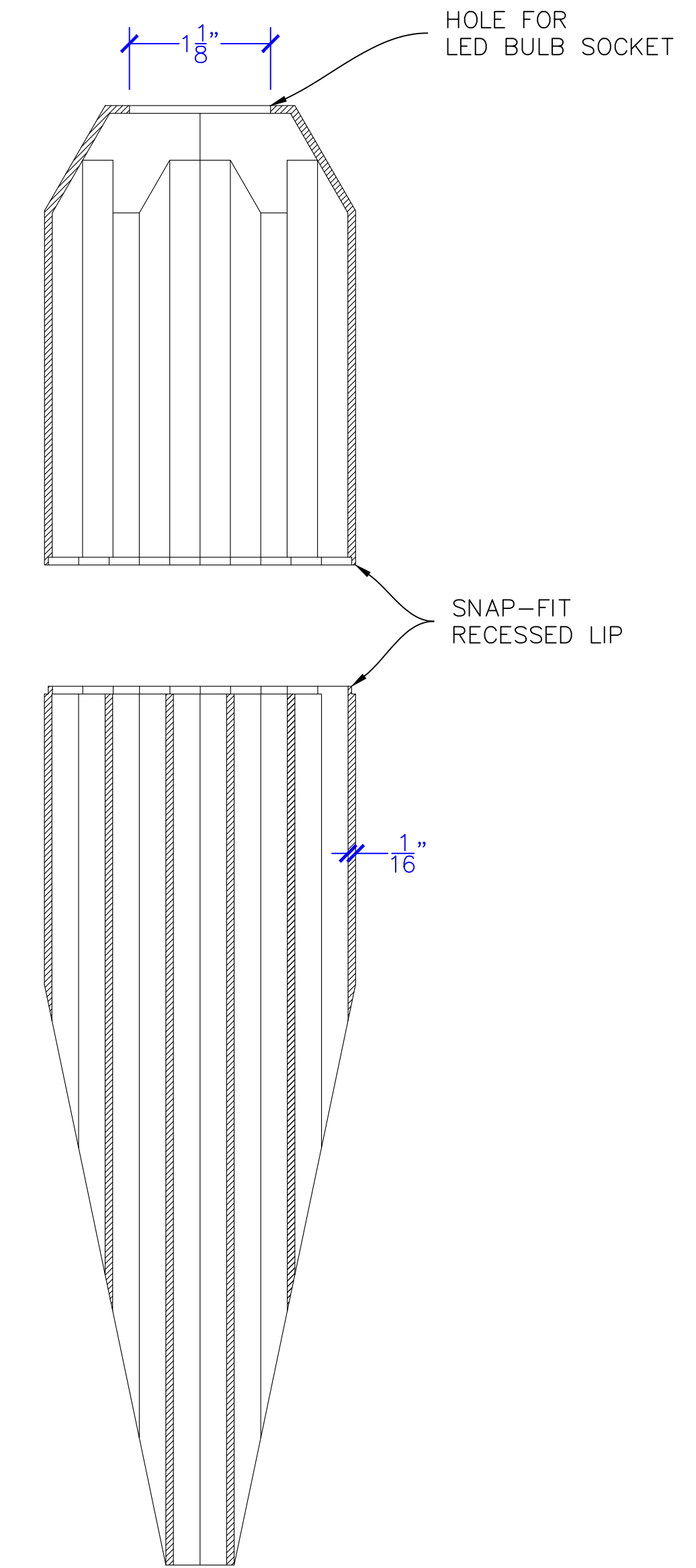
4 TOP VIEW
Scale: 1:1



5 FRONT VIEW
Scale: 1:1



6 BOTTOM VIEW
Scale: 1:1



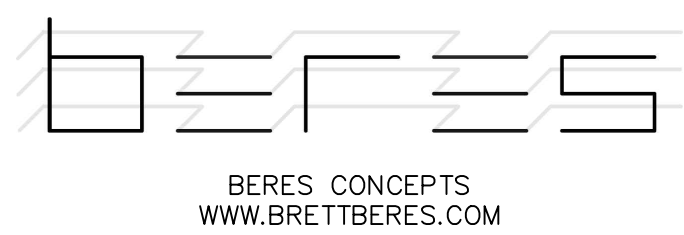
7 FRONT SECTION VIEW
Scale: 1:1

| HARDWARE/FASTENER SCHEDULE | |
|----------------------------|--|
| ID | DESCRIPTION |
| H-1 | 60W, 3500K E26 MEDIUM BASE LED BULB |
| H-2 | BLACK E26 SOCKET W/ THREADED RING (SKU: PSK-002-001) |
| H-3 | CRIMSON WIRE CLOTH (SKU: W3-615B) |
| H-4 | 12V, 2A POWER SUPPLY (SKU: ISP-NW-PS-12V-WP-UL-24W) |

| MATERIALS SCHEDULE | |
|--------------------|---|
| ID | DESCRIPTION |
| M-1 | PRUSAMENT SMOKEY BLACK TRANSPARENT PVB FDM FILAMENT |
| M-2 | PRUSAMENT JET BLACK PETG FDM FILAMENT |

GENERAL NOTES

DIFFUSER, SHADE -- 3D PRINT



DESCRIPTION:
HONEYCOMB PENDANT

DATE: 01/29/2024
SCALE: SCALE AS NOTED
DRAWN BY: B. BERES
SHEET: 1 OF 1